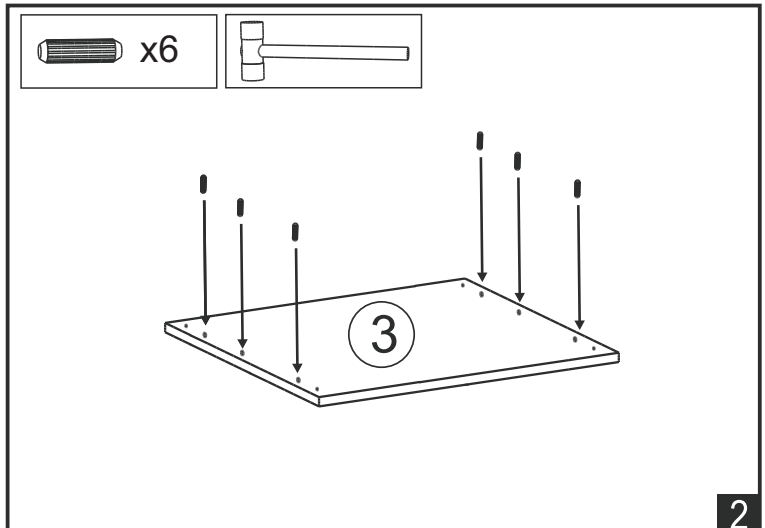
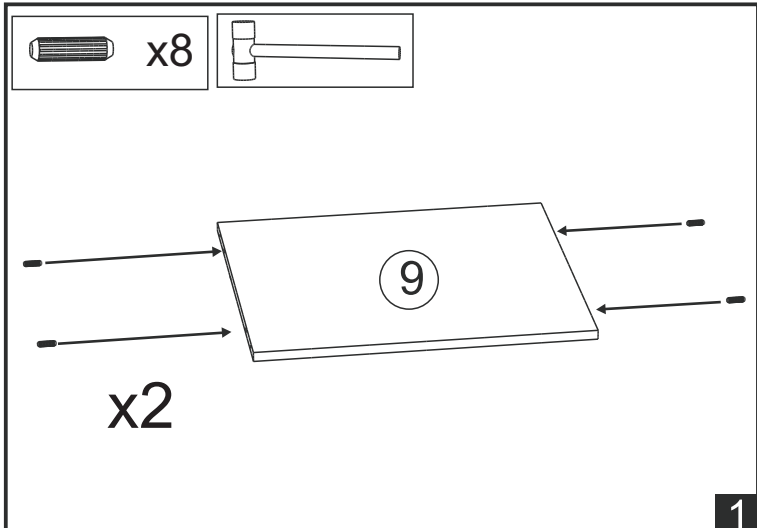
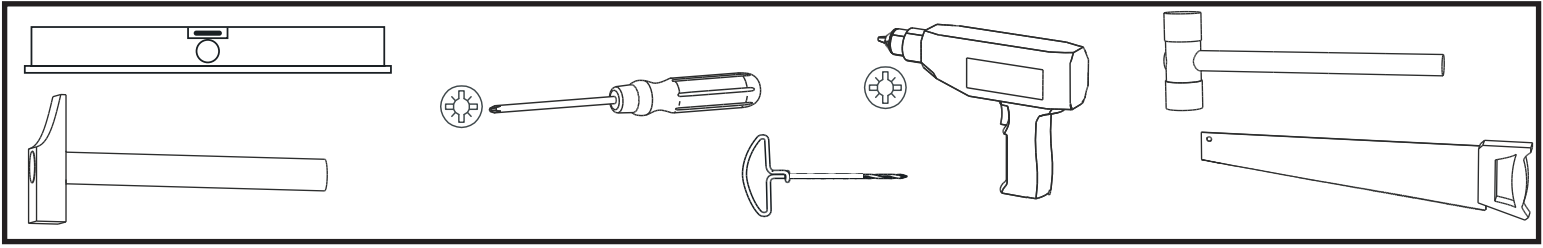
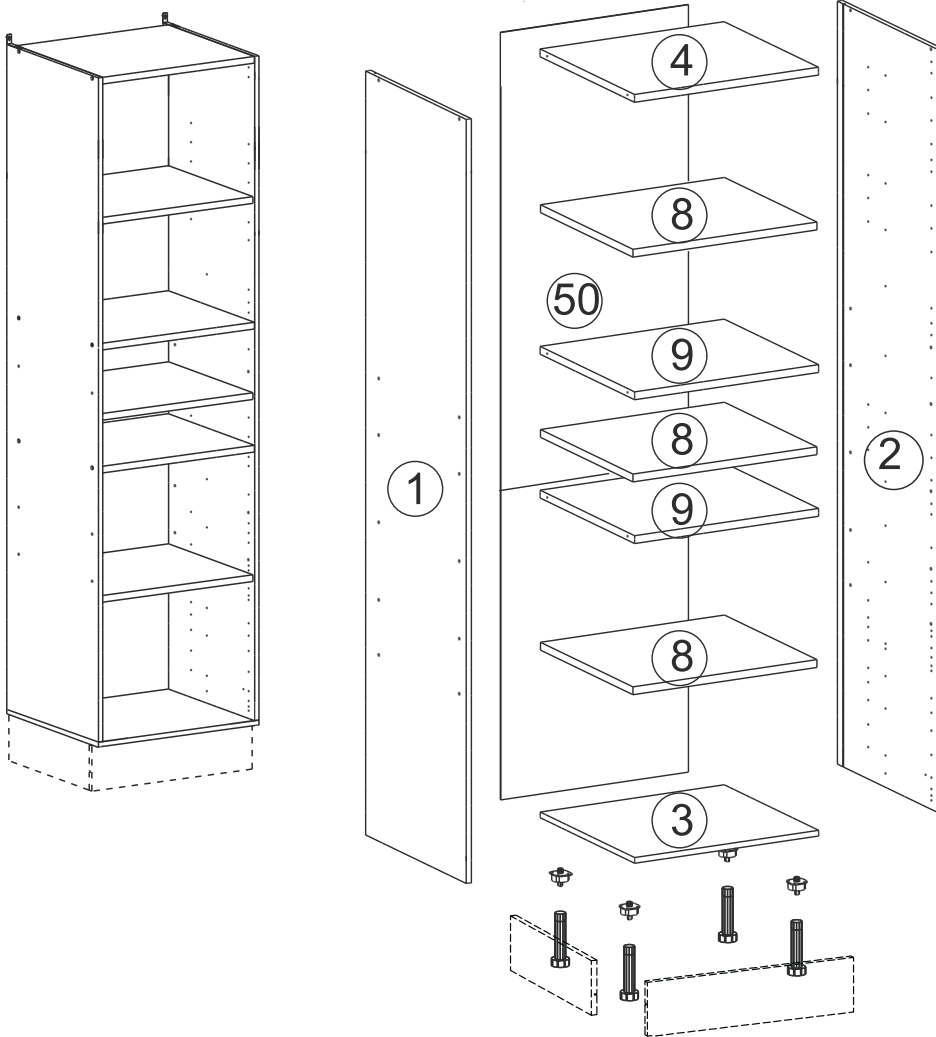
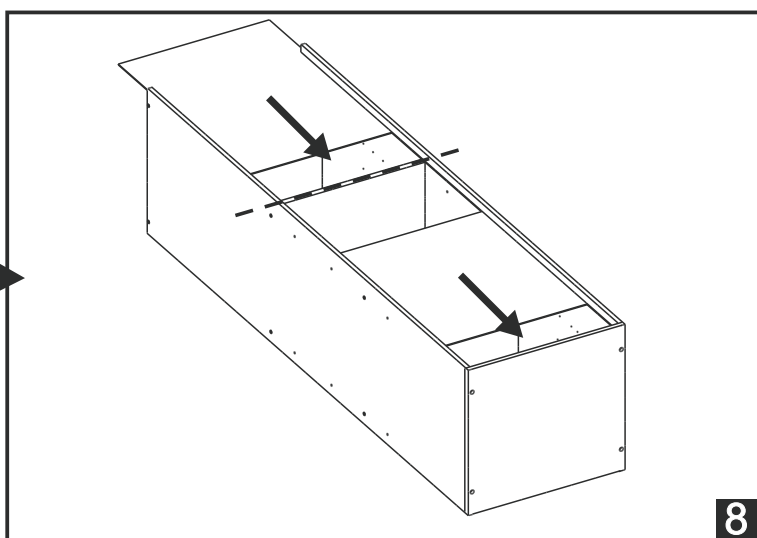
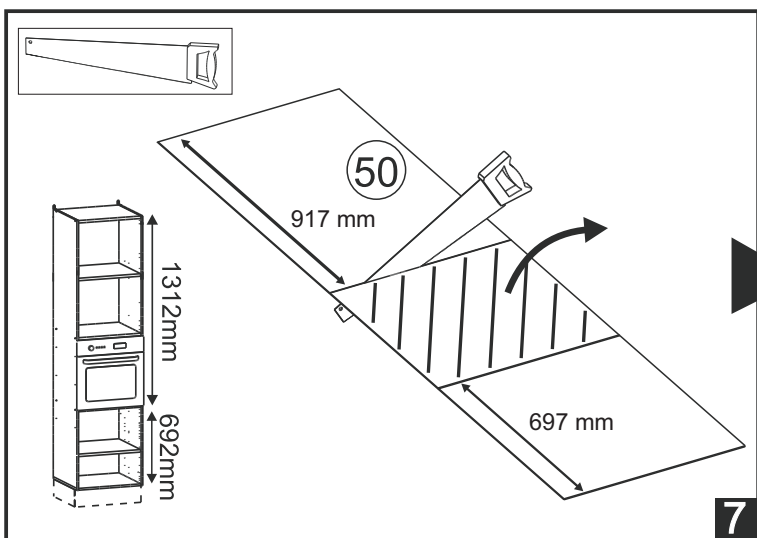
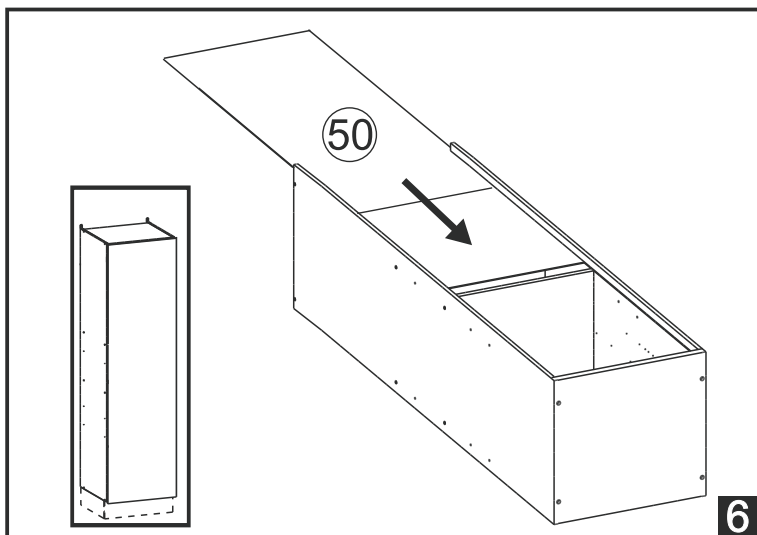
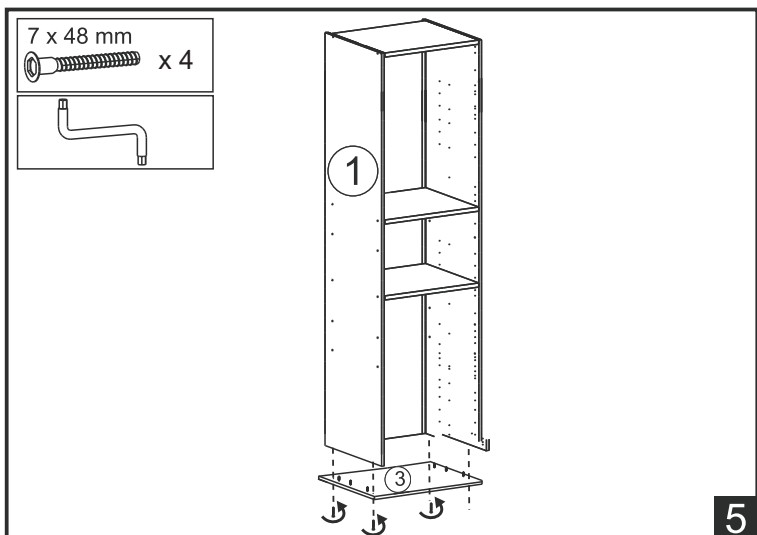
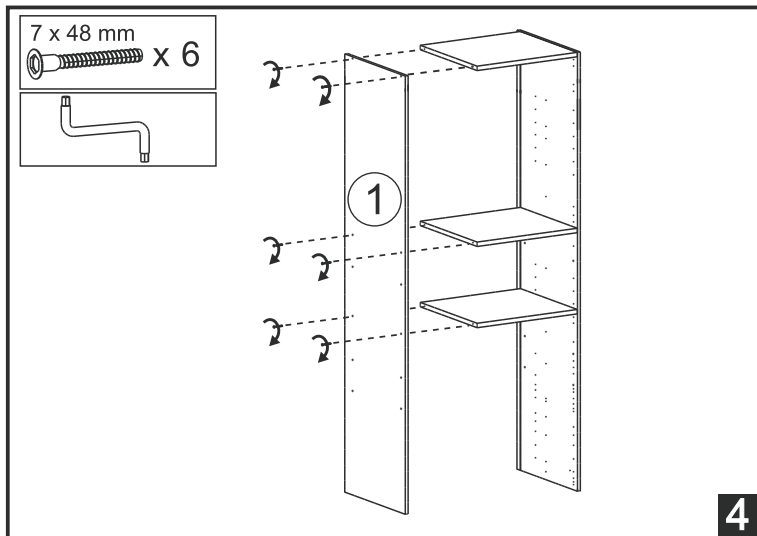
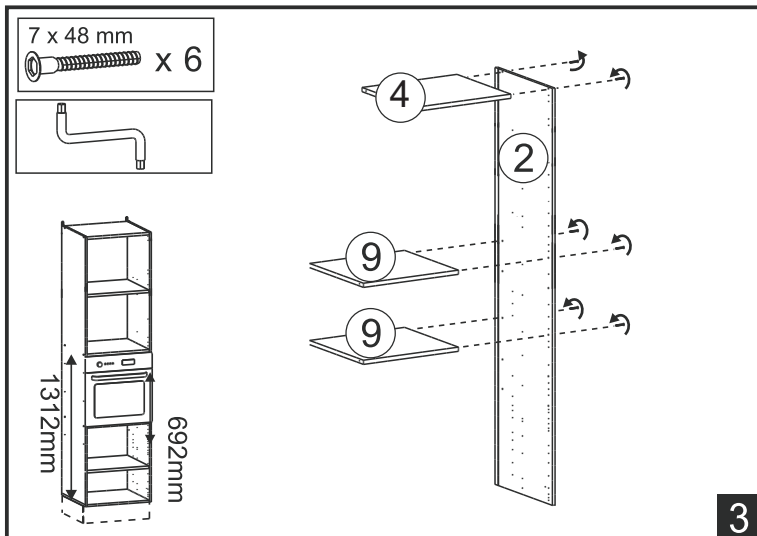


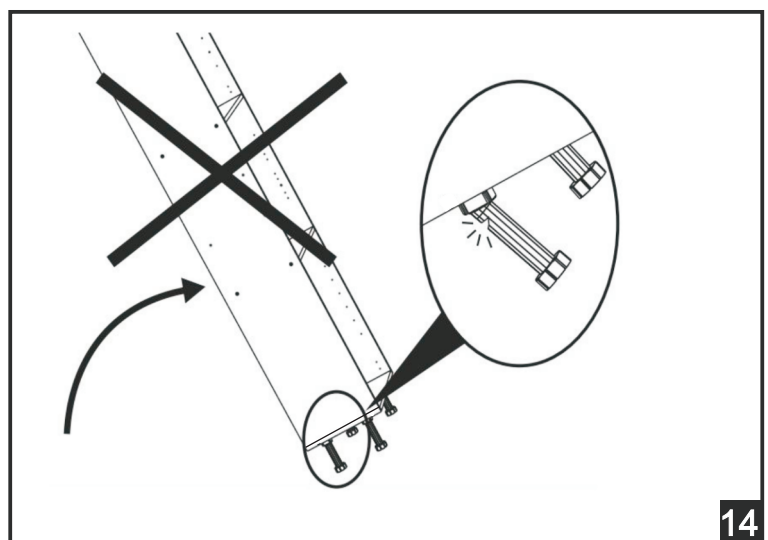
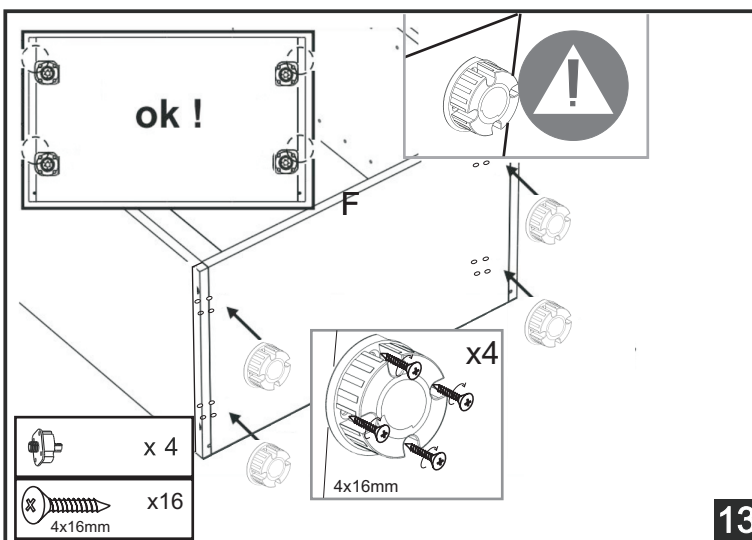
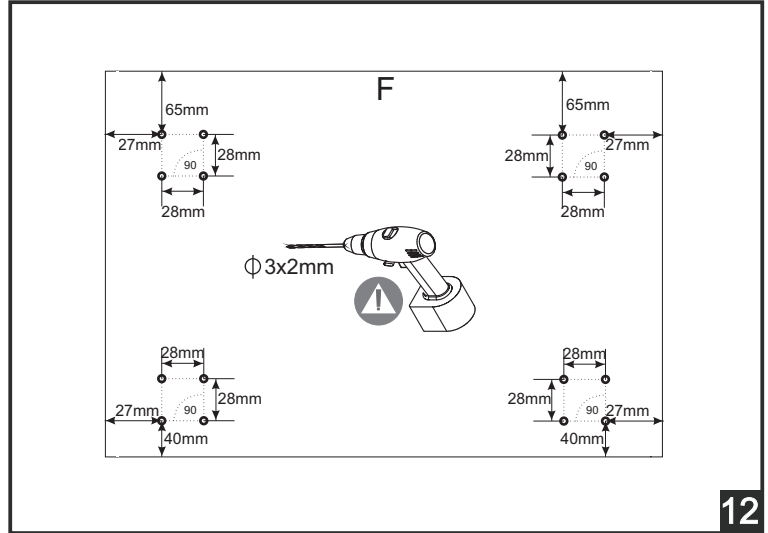
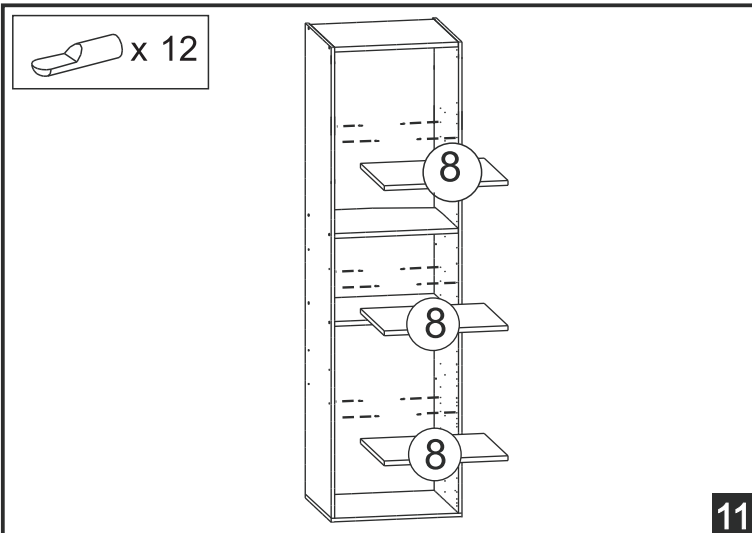
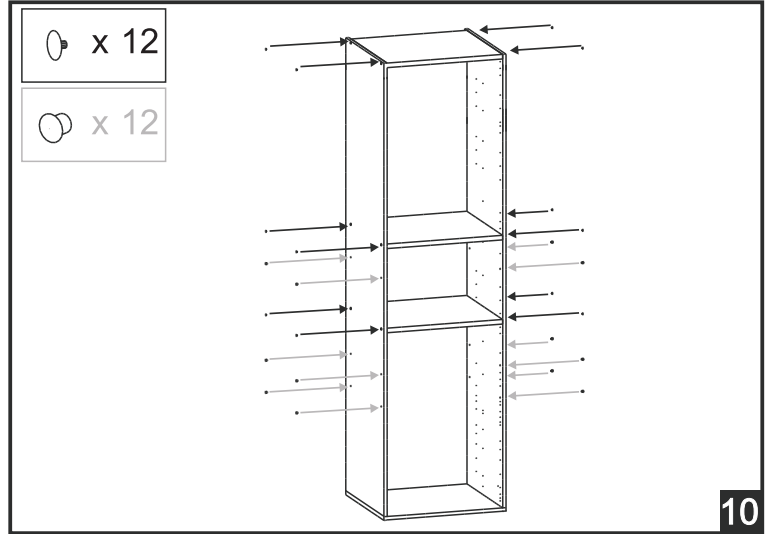
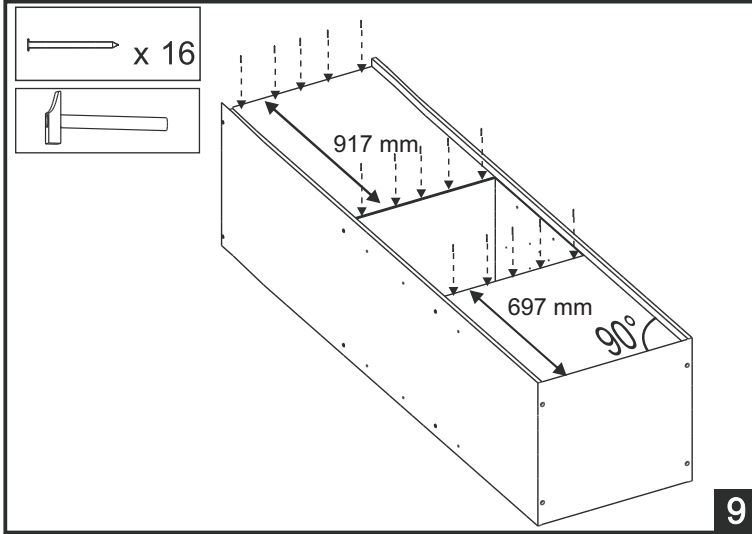


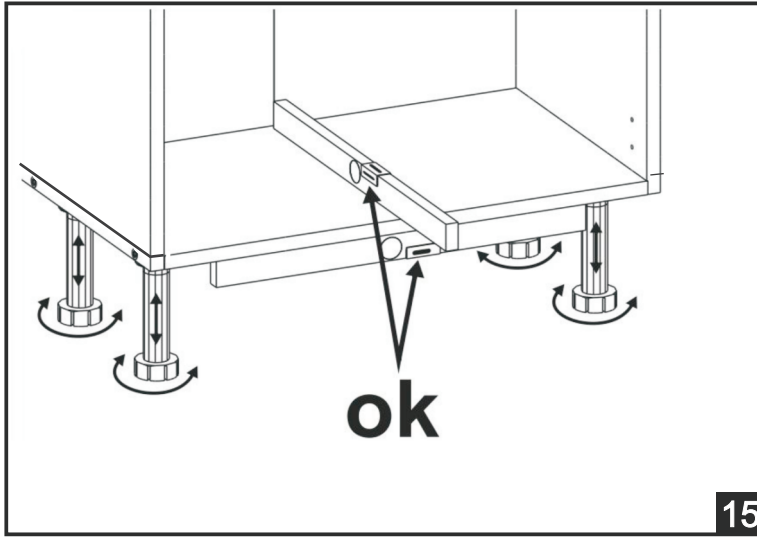
## N° 323

- |  |           |      |
|--|-----------|------|
|  | 7 x 48 mm | x 16 |
|  |           | x 16 |
|  |           | x 12 |
|  |           | x 14 |
|  |           | x 12 |
|  |           | x 16 |
|  |           | x 2  |
|  |           | x 2  |
|  |           | x 1  |
|  |           | x 4  |
|  |           | x 4  |
|  |           | x 4  |
|  | 4x16mm    | x 24 |

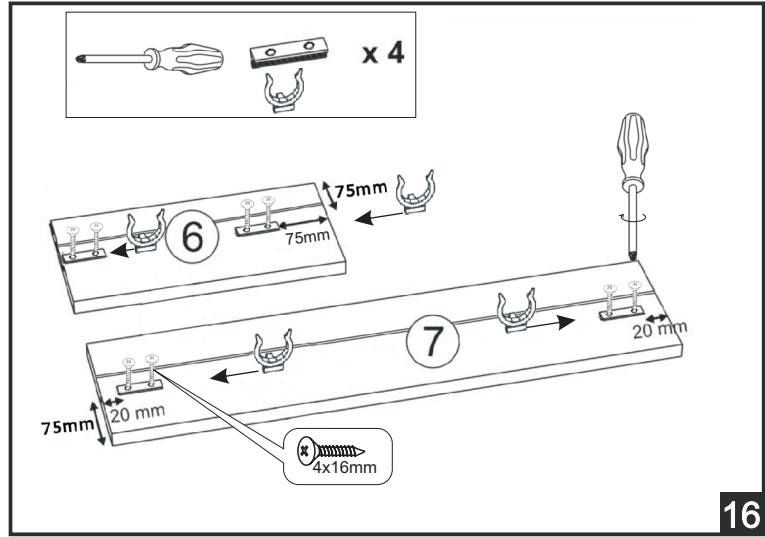




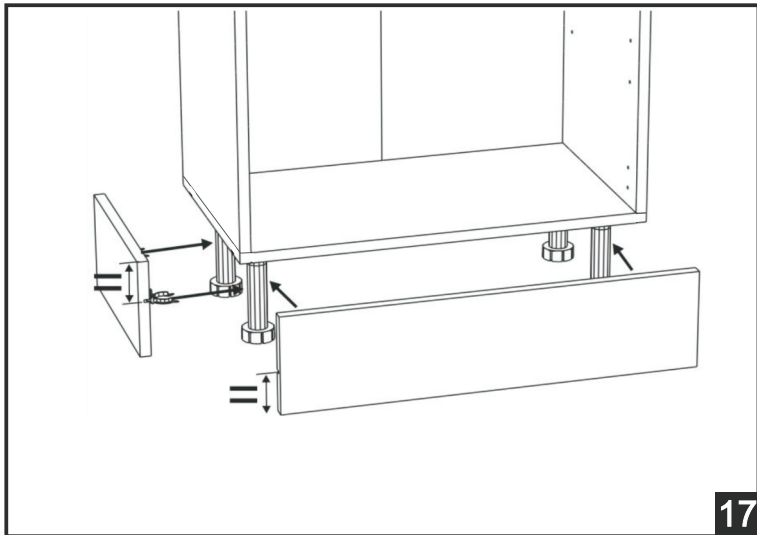




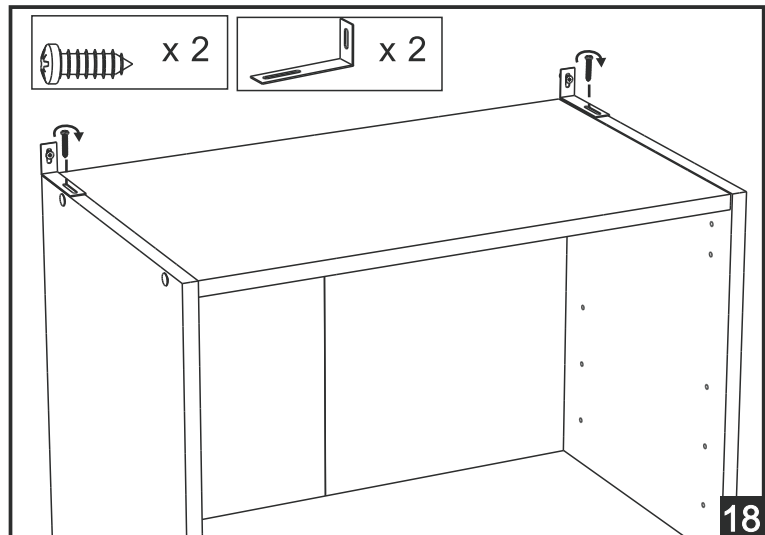
15



16

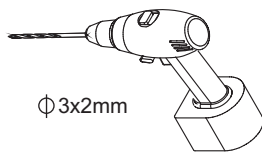
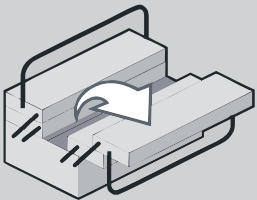
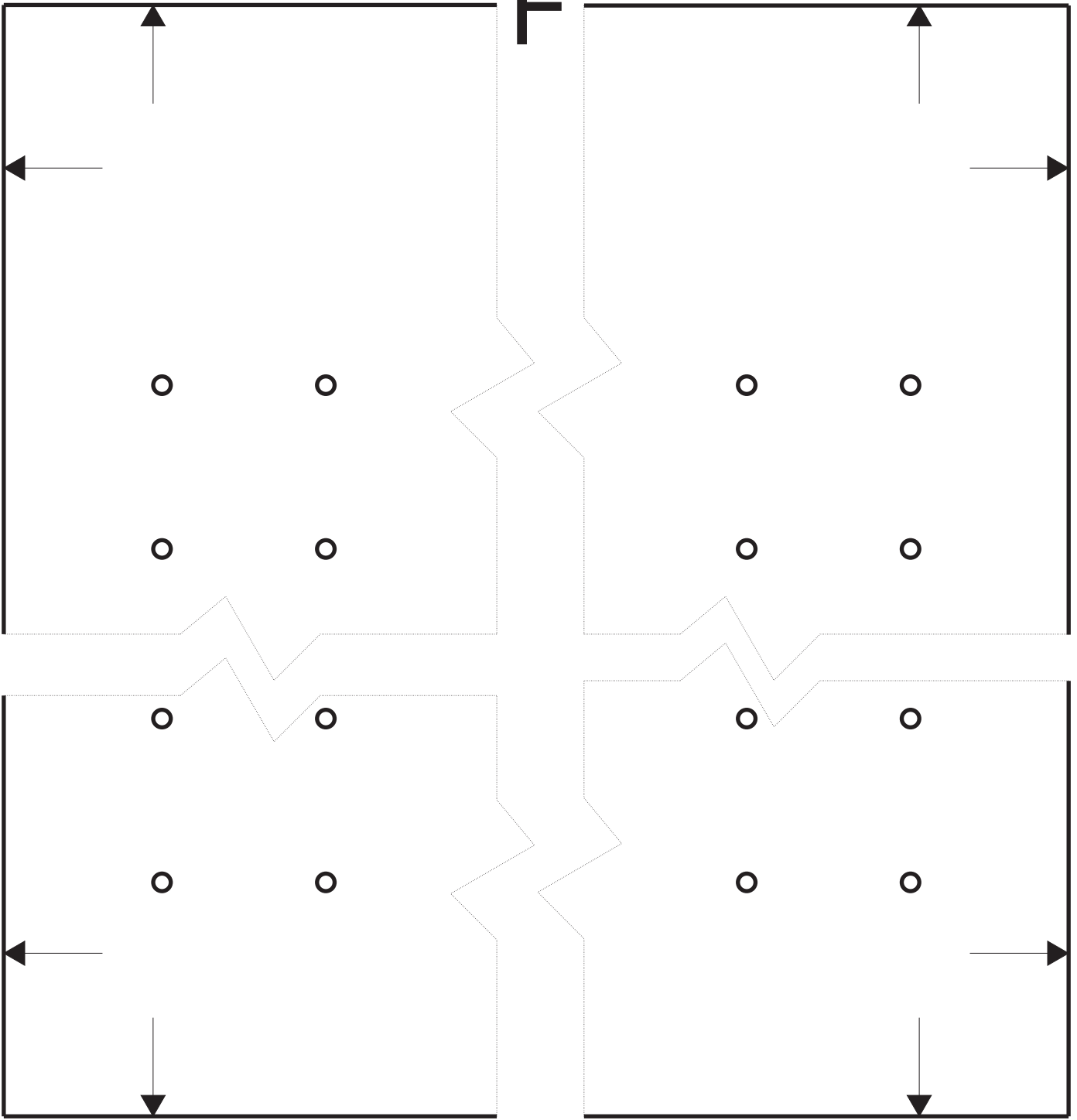


17



18

F



1:1